

DATE
May 19, 2011

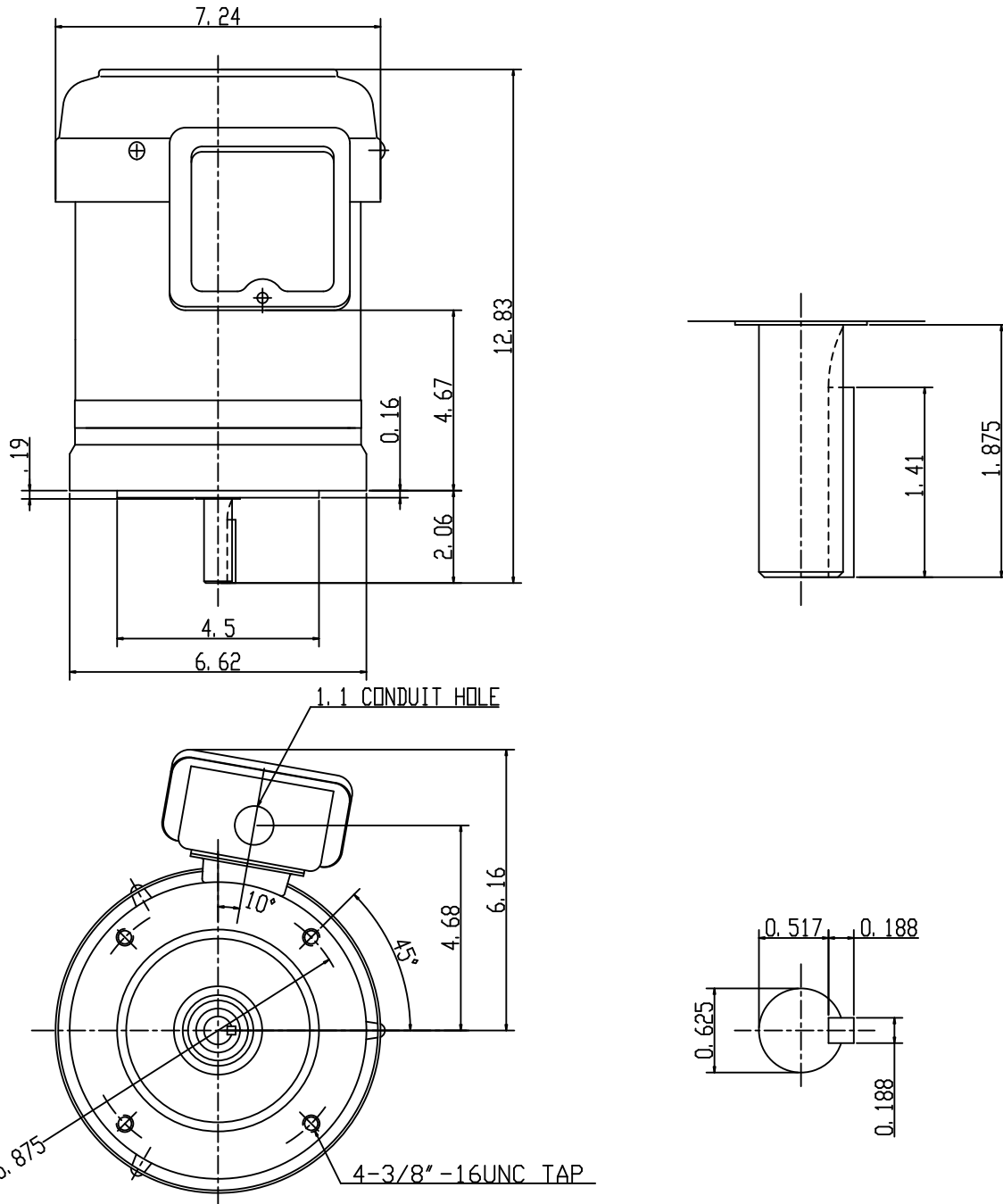
OUTLINE DIMENSIONS
3-PHASE INDUCTION MOTOR

MODEL TYPE:
AETHCF
FRAME NO. 56C

CATALOG NO.
GHV0012C

Pole	HP	KW	Hz	VOLT	Syn. Speed R. P. M
2	1	1.5	60	230/460	3600

Ins.	Rating	Dimensions in	Approx Weight	Bearings
F	CONT.	inch	39 lbs.	DF: 6205ZZ NDE: 6204ZZ



APPD.	W. H. TSAI	03 31 03
CHKD.	J. B. CHEN	03 31 03
DWN.	P. J. CHEN	03 31 03

TECO Westinghouse

DWG NO.
31049Z105
0724